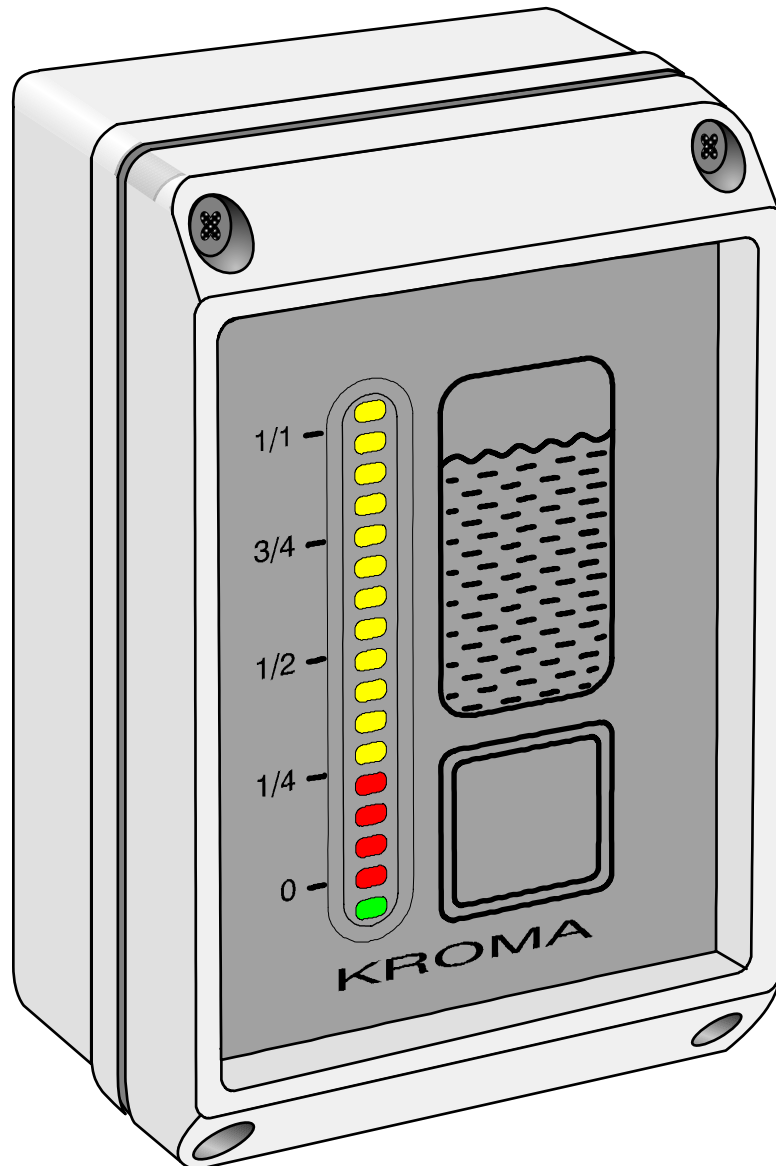


# Level Indicator



## BAZ 10

**KROMA**  
**FÜLLSTANDSMESSTECHNIK GmbH**  
Rostocker Straße 9-10 D-39124 Magdeburg  
Telefon: +49(0)391/2538744 Fax: +49(0)391/2538745  
E-Mail: [info@KROMA.eu](mailto:info@KROMA.eu) Internet: [www.KROMA.eu](http://www.KROMA.eu)

# BAZ 10 Level Indicator

## Description

KROMA BAZ 10 level indicators serve to display liquid levels by means of a resistor-type sensor (e. g. KROMA MWA). Sixteen varicoloured extra bright light-emitting diodes being arranged as a luminous band guarantee high accuracy of resolution and exact reading both in the dark and in sunshine. By shortly pressing the piezoelectric pushbutton, the BAZ 10 is switched on and off. The instrument automatically switches off after an on-time (0 to 16 minutes) which is variably programmable by the manufacturer. On-time is signalled by a green light-emitting diode, even if the tank is empty.

The BAZ 10 is housed in an aluminium enclosure for panel mounting. A standard BAZ 13 level indicator with spring terminals for cable connection (up to 1.5 mm<sup>2</sup>) is installed. In view of its stainless steel front panel with piezoelectric pushbutton and its encapsulated electronics in a tight aluminium enclosure (IP 65), the BAZ 10 is resistant to rough ambient conditions and vandalism.

## Special Features

- Extended operating voltage range (16 to 60 V DC )
- Good visible, extra-bright LED band with high accuracy of resolution (16 LEDs)
- Cable connection up to 1.5 mm<sup>2</sup> through spring terminals, housing with M16x1.5 screw connection
- Programmable on-time (0 to 960 seconds and ∞, standard 15 seconds\*)
- Integral piezoelectric pushbutton with ON-OFF function
- Aluminium housing with stainless steel front panel (IP 65) for rough ambient conditions such as falling rocks
- Tested according to German railways' standard BN 411002/EN 50155 (approved for use on rail vehicles), EMC tested

## Technical Data

Operating voltage:	24V DC (16V to 60V)
Power consumption:	Approx. 2VA
Static current:	< 0.1 mA
Input resistance MWA:	2 kOhm to 10 kOhm
Degree of protection:	IP 65
Ambient temperature range:	-25°C to +70°C; (-50°C to +70°C*)
Storage temperature range:	-55°C to +85°C
Vibratory strength:	5.9 m/s <sup>2</sup> (5 to 150 Hz)
Shock resistance:	50 m/s <sup>2</sup>
Weight:	0.700 kg
Mounting bores:	2 x Ø4.6 mm or 4x Ø3.5 mm; (Refer to outline drawing.)

## Information required with order

KROMA **BAZ 10** level indicator \_\_\_\_\_ **BAZ 10 . 1 2 0**

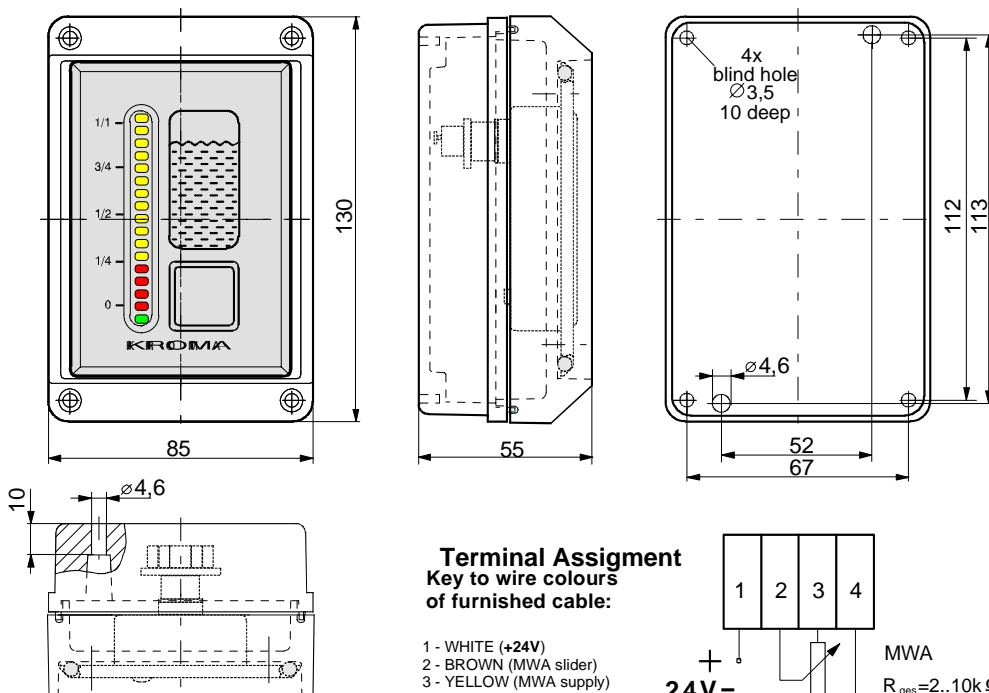
Cable entry (M 16x1,5): "1" = centered on top/bottom \_\_\_\_\_  
 "3" = centered on the right/left \_\_\_\_\_  
 "5" = centered rear \_\_\_\_\_

Operation: "0" = without pushbutton; "2" = piezoelect. pushbutton (standard on-time 15 sec.\*), \_\_\_\_\_  
 "3" = 30 sec. etc. \_\_\_\_\_

Front panel "0" = water; "1" to "9" = customized\* \_\_\_\_\_

\* special design to be requested from KROMA

## Outline Drawing



Subject to technical modifications.